



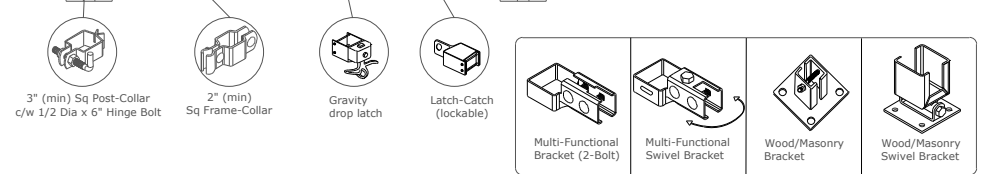
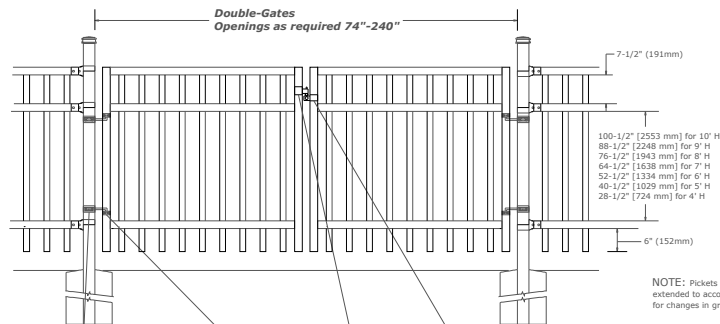
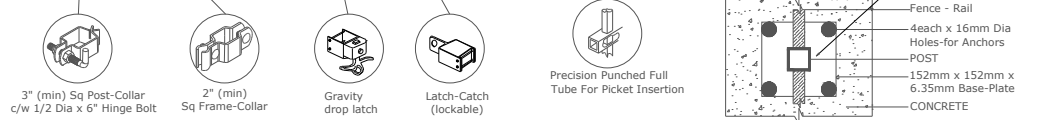
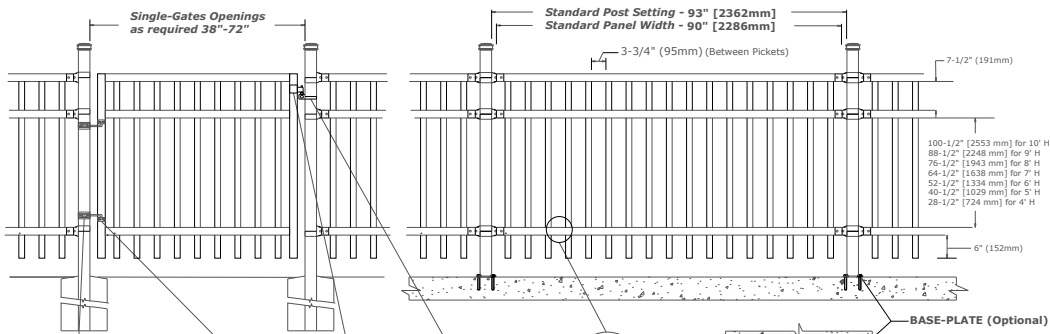
## Medallion Fence

10651 KEELE STREET  
 MAPLE, ONTARIO L6A 3Y9  
 (T) 905-832-2922 || 1-800-794-1564 || (F) 905-832-1564  
 info@medallionfence.com || www.medallionfence.com

Medallion Fence

**Style:**  
 STANTON/RP

**Series:**  
 HAWKSTONE™



### MATERIAL SPECIFICATIONS:

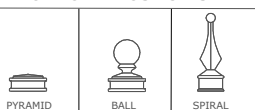
ARMOUR-SHIELD™  
 BY MEDALLION FENCE

PROTECTED BY



ARMOUR-SHIELD

### OPTIONAL POST CAPS



## SPECIFICATIONS

### TUBE COMPOSITION - POSTS, RAILS & PICKETS

Coated Cold Formed ERW Tubing

- With a coating designation being a minimum protective coating weight of 275gm/m<sup>2</sup> both interior and exterior
- Top coat consisting of a chromium-free phosphate conversion coating
- Coating conforming to ASTM A1046 for hot dip coatings comprising of Zinc, Aluminum and Magnesium
- ERW tube conforming to ASTM A787 Type 6
- Minimum Yield Strength 207 MPa and Minimum Tensile Strength 290 MPa
- Weld seams mill re-metalized

## MATERIAL DIMENSIONS

PICKET	1-1/2" x 3/4" [38mm x 19mm] 16GA
RAILS	2" x 2" [50mm x 50mm] 14GA
POSTS	3" x 3" [76mm x 76mm] 14 GA
OPTIONAL POST(1) REGULAR or BASE-PLATED	3" x 3" (76mmx76mm) 11GA 4" x 4" (102mmx102mm) 11GA
WELDS	Stainless Steel Mig Weld
FITTINGS	12 Gauge Stamp Forged Finish as below
FITTING FASTENERS	JS1000 Plated Finish as below
OPTIONAL FASTENER	Tamper Proof Nuts

## FINISH

GRADE	Super Durable Polyester Powder Coat
OPTIONAL PRIMER	Zinc Rich Epoxy Powder Coat
STANDARD COLOUR	SEMI-GLOSS - BLACK
OTHER COLOURS	Green, Brown, White, Antique Silver
CUSTOM COLOURS	Per Specifications

STANDARD HEIGHTS	4'	5'	6'	7'	8'	9'	10'
	1219mm	1524mm	1892mm	2134mm	2438mm	2743mm	3048mm
Custom heights are available (upon request)							

STANDARD GATES	Passage, Double Entry, Cantilever
----------------	-----------------------------------

### STANDARD POST SETTING & PANEL WIDTH

FOR FENCE HEIGHTS	PANEL WIDTH	POST SPACING [OPENING]
Up to 6' [1829mm]	90" [2286mm]	93" [2362 mm]
Over 6' [1829mm]	90" [2286mm] or as required	