



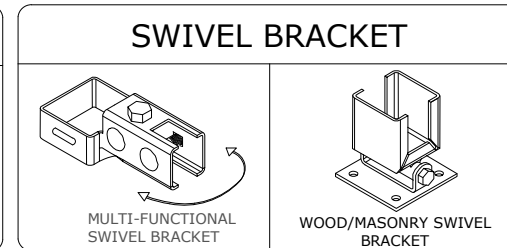
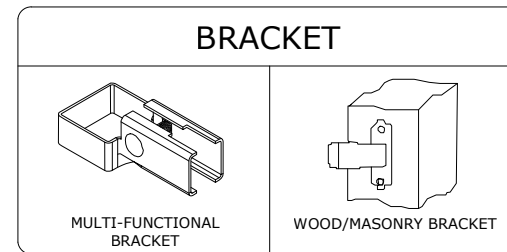
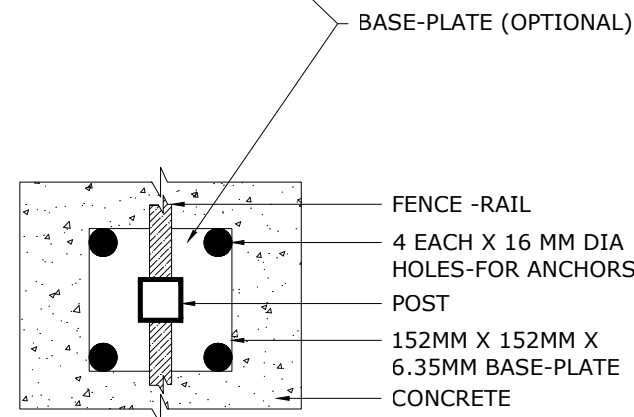
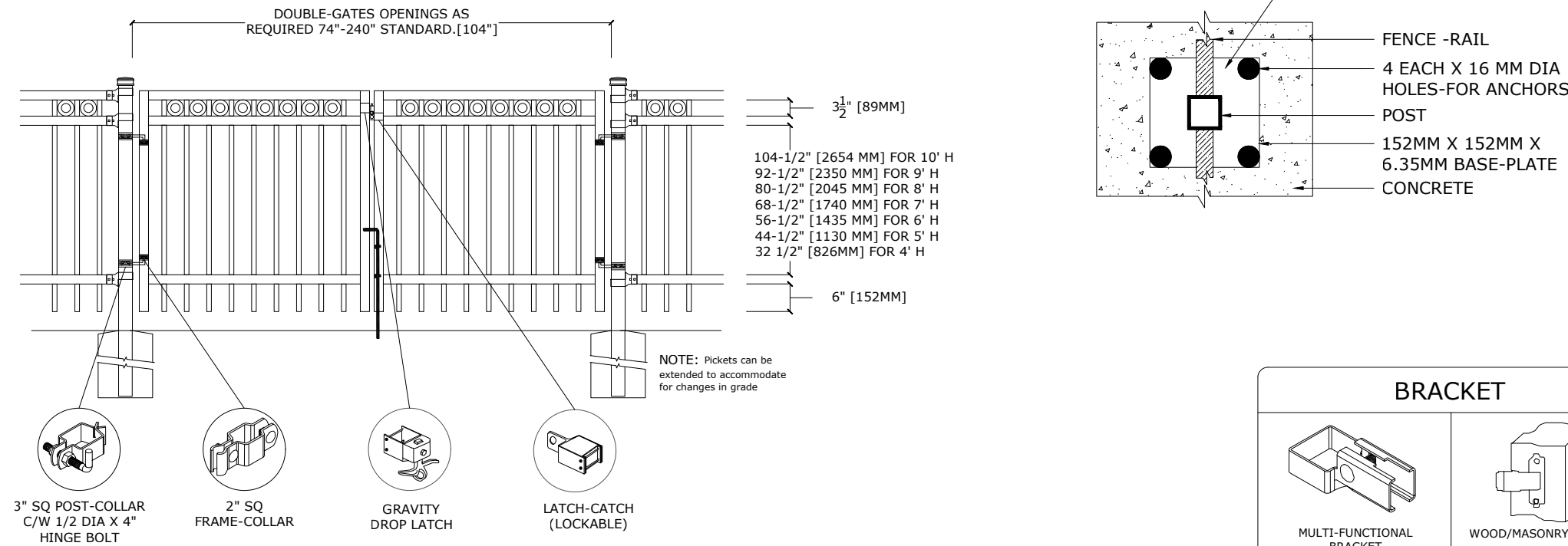
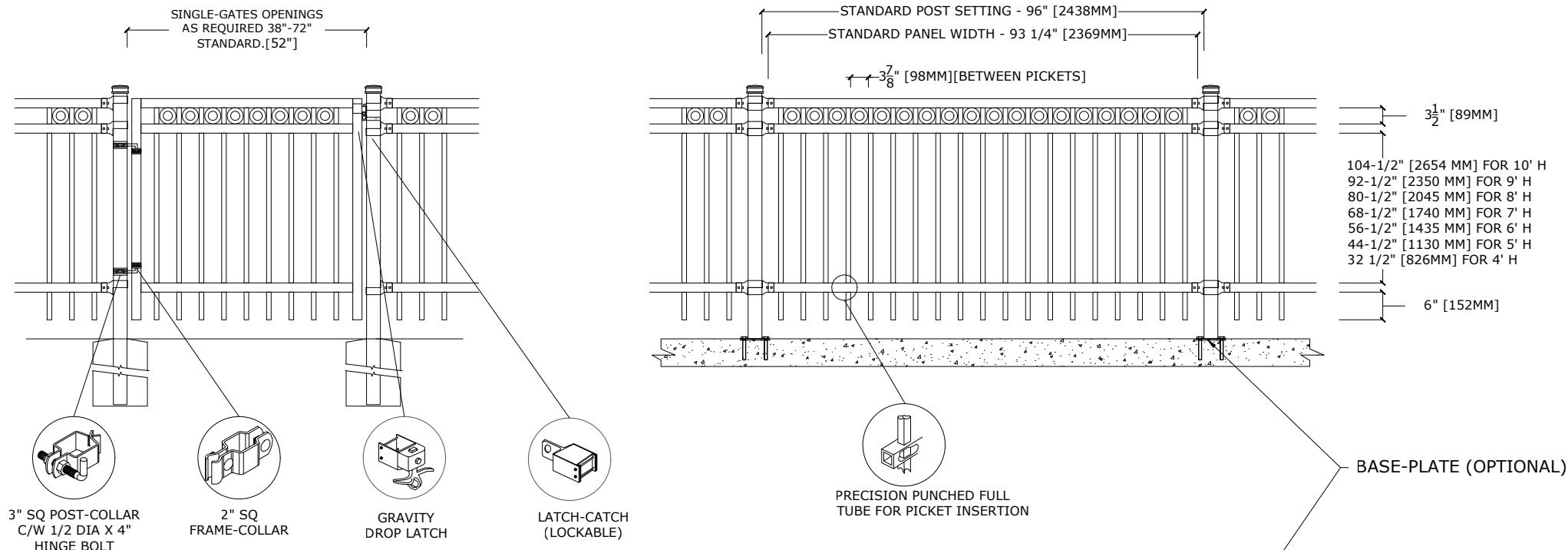
# Medallion Fence

10651 KEELE STREET  
 MAPLE, ONTARIO L6A 3Y9  
 (T) 905-832-2922 || 1-800-794-1564 || (F) 905-832-1564  
 info@medallionfence.com || www.medallionfence.com

Medallion Fence

**STYLE:**  
**STANTON-REP-AL**

**SERIES:**  
**HAWKSTON™**



## SPECIFICATIONS

### TUBE COMPOSITION - POSTS , RAILS & PICKETS

- HIGH-STRENGTH EXTRUDED ALUMINUM ALLOY (6061-T4 & 6061-T6 TEMPERS)
- ULTIMATE TENSILE STRENGTH: ≈ 290 MPA (T4), ≈ 339 MPA (T6)
- YIELD STRENGTH: ≈ 210 MPA (T4), ≈ 317 MPA (T6)
- ELONGATION: ≈ 8%-16% (T6), UP TO ~16%+ (T4) DEPENDING ON THICKNESS

## MATERIAL DIMENSIONS

PICKET	1" x 1" (25mm x 25mm) .080 Wall
RAILS	2" x 2" [50mmx50mm] .125 Wall
POSTS REGULAR or BASE-PLATED	3" x 3" [76mm x 76mm] .188 Wall
OPTIONAL POST REGULAR or BASE-PLATED	Larger profiles available - contact Medallion Fence
UPRIGHTS	2" x 2" [50mmx50mm] .188 Wall

<b>WELDS</b>	Aluminum Mig Weld
<b>FITTINGS</b>	12 Gauge Stamp Forged Finish as below
FITTING FASTENERS	JS1000 Plated Finish as below
OPTIONAL FASTENER	Tamper Proof Nuts

## FINISH

<b>GRADE</b>	Super Durable Polyester Powder Coat
OPTIONAL PRIMER	Zinc Rich Epoxy Powder Coat
OPTIONAL PRIMER (2)	E-Coat
STANDARD COLOUR	SEMI-GLOSS - BLACK
OTHER COLOURS	Green, Brown, White, Antique Silver
CUSTOM COLOURS	Per Specifications

<b>STANDARD HEIGHTS</b>	4' 1219MM	5' 1524MM	6' 1829MM	7' 2134MM	8' 2438MM	9' 2743MM	10' 3048MM
	Custom heights are available (upon request)						

STANDARD GATES	Passage, Double Entry, Cantilever
----------------	-----------------------------------

### STANDARD POST SETTING & PANEL WIDTH

FOR FENCE HEIGHTS	PANEL WIDTH	POST SPACING [OPENING]
Up to 6' [1829mm]	93 1/4" [2369MM]	96" [2438 MM]
Over 6' [1829mm]	93 1/4" [2369MM]	96" [2438 MM]

## MATERIAL SPECIFICATIONS:

ALU-TUFF™  
 BY MEDALLION FENCE

## PROTECTED BY



## OPTIONAL POST CAPS



PYRAMID



BALL



SPIRAL

## SWIVEL BRACKET