

Medallion Fence

10651 KEELE STREET
 MAPLE, ONTARIO L6A 3Y9
 (T) 905-832-2922 || 1-800-794-1564 || (F) 905-832-1564
 info@medallionfence.com || www.medallionfence.com

Medallion Fence

STYLE:
CAVALIER DR REP PET GUARD - AL

SERIES:
FAIRMONT™

SPECIFICATIONS

TUBE COMPOSITION - POSTS , RAILS & PICKETS

- HIGH-STRENGTH EXTRUDED ALUMINUM ALLOY (6061-T4 & 6061-T6 TEMPERS)
- ULTIMATE TENSILE STRENGTH: ≈ 290 MPA (T4), ≈ 339 MPA (T6)
- YIELD STRENGTH: ≈ 210 MPA (T4), ≈ 317 MPA (T6)
- ELONGATION: ≈ 8%-16% (T6), UP TO ~16%+ (T4) DEPENDING ON THICKNESS

MATERIAL DIMENSIONS

PICKET	5/8" x 5/8" (16mm x 16mm) .065 Wall
RAILS	1-1/4" x 1-1/4" (32mm x 32mm) .080 Wall
POSTS REGULAR or BASE-PLATED	2" x 2" (51mm x 51mm) .125 Wall
OPTIONAL POST REGULAR or BASE-PLATED	2-1/2" x 2-1/2" (64mmx64mm) .125 Wall
UPRIGHTS	1-1/4" x 1-1/4" (32mm x 32mm) .125 Wall

WELDS	Aluminum Mig Weld
FITTINGS	14 Gauge Stamp Forged Finish as below
FITTING FASTENERS	JS1000 Plated Finish as below
OPTIONAL FASTENER	Tamper Proof Nuts

FINISH

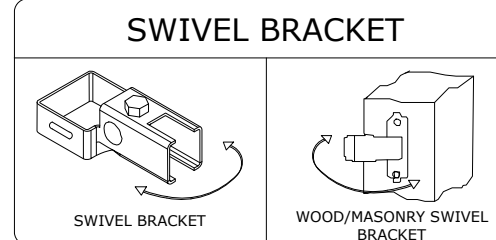
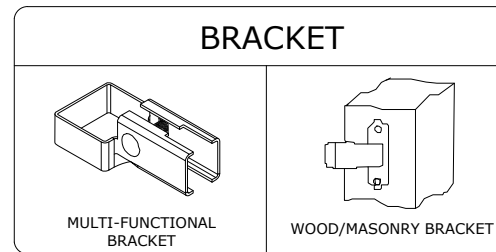
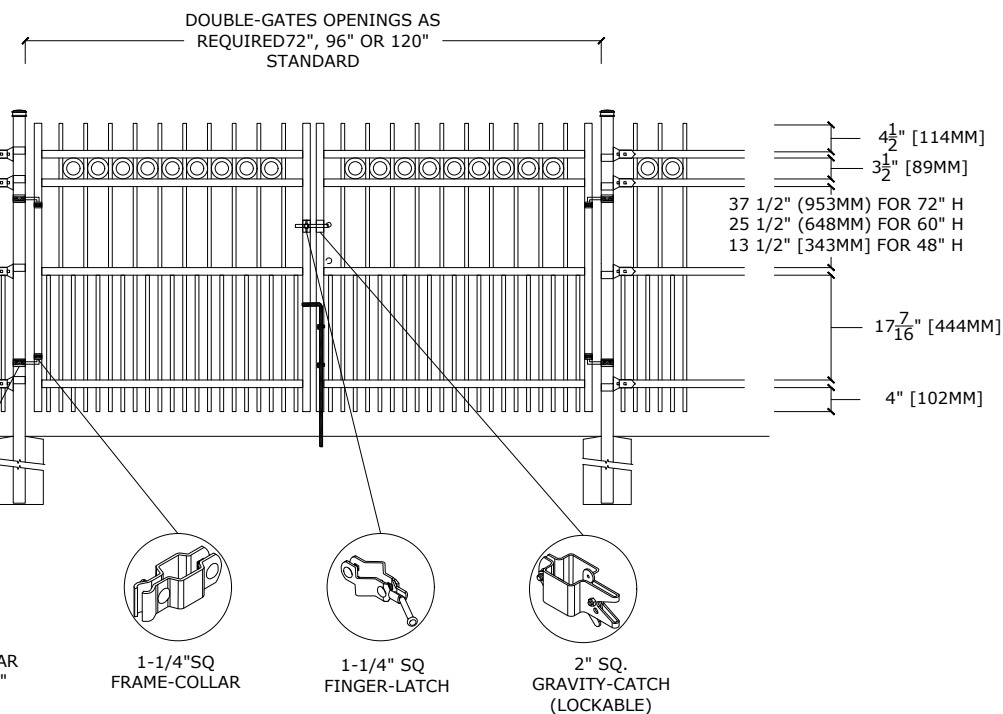
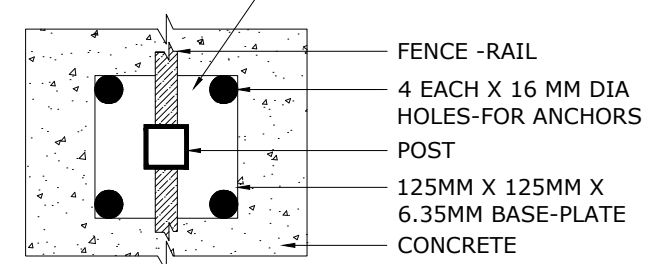
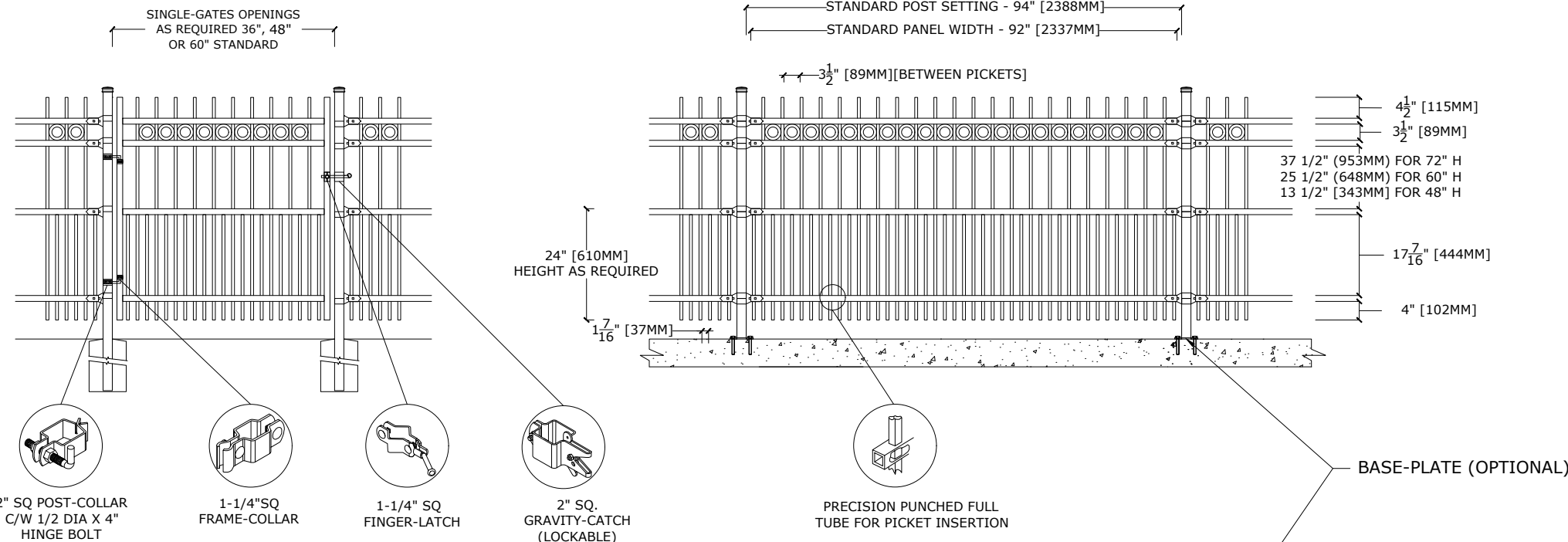
GRADE	Super Durable Polyester Powder Coat
OPTIONAL PRIMER	Zinc Rich Epoxy Powder Coat
OPTIONAL PRIMER (2)	E-Coat
STANDARD COLOUR	SEMI-GLOSS - BLACK
OTHER COLOURS	Green, Brown, White, Antique Silver
CUSTOM COLOURS	Per Specifications

STANDARD HEIGHTS	NA	NA	48" 1219mm	60" 1524mm	72" 1892mm
	Custom heights are available for Panel & Pet Guard (upon request)				

STANDARD GATES	Passage, Double Entry, Cantilever
----------------	-----------------------------------

STANDARD POST SETTING & PANEL WIDTH

FOR FENCE HEIGHTS	PANEL WIDTH	POST SPACING [OPENING]
Up to 6' [1829mm]	92" [2337MM]	94" [2388 MM]
Over 6' [1829mm]	NA	



MATERIAL SPECIFICATIONS:

ALU-TUFF™
 BY MEDALLION FENCE

PROTECTED BY



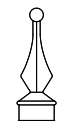
OPTIONAL POST CAPS



PYRAMID



BALL



SPIRAL

MATERIAL SPECIFICATIONS:
 ALU-TUFF™
 BY MEDALLION FENCE

OPTIONAL POST CAPS

PYRAMID, BALL, SPIRAL