



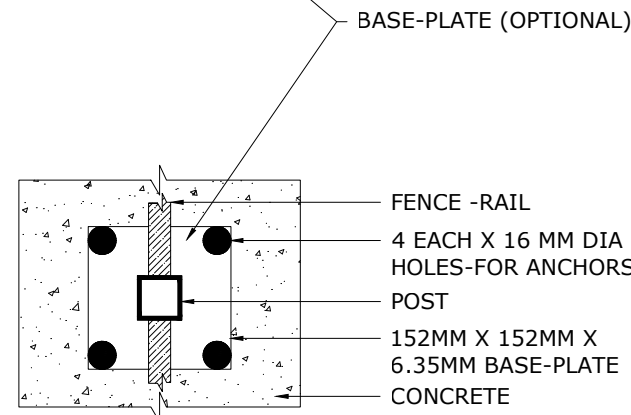
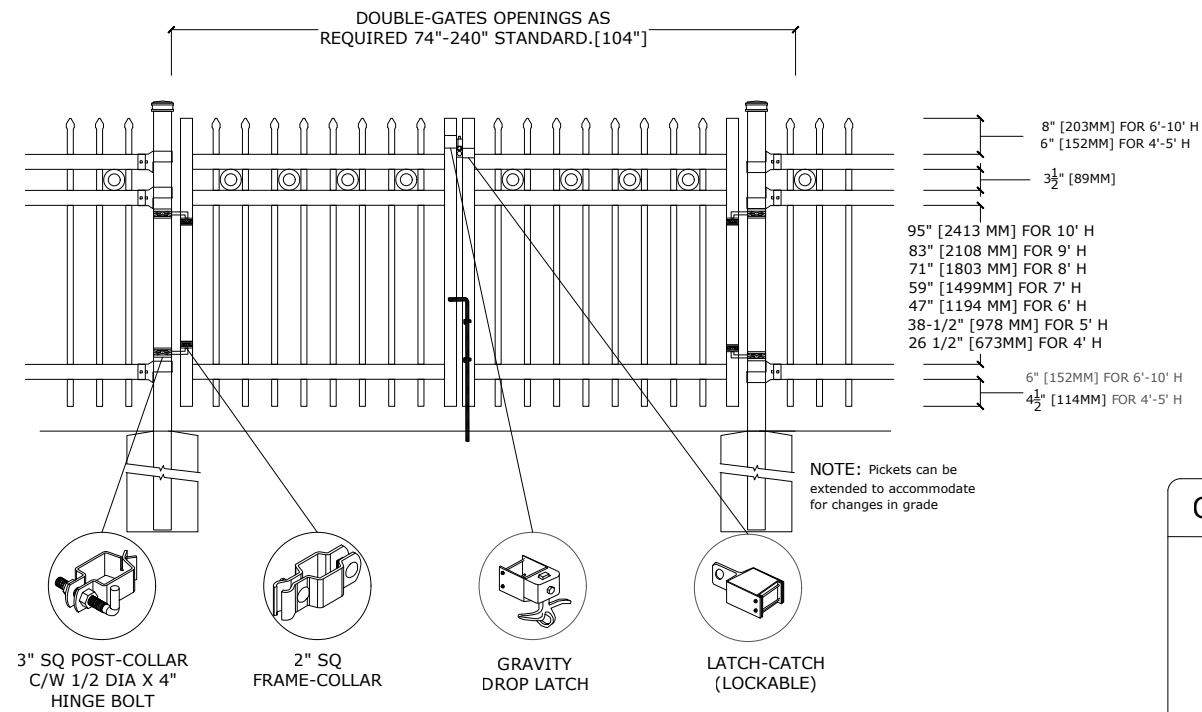
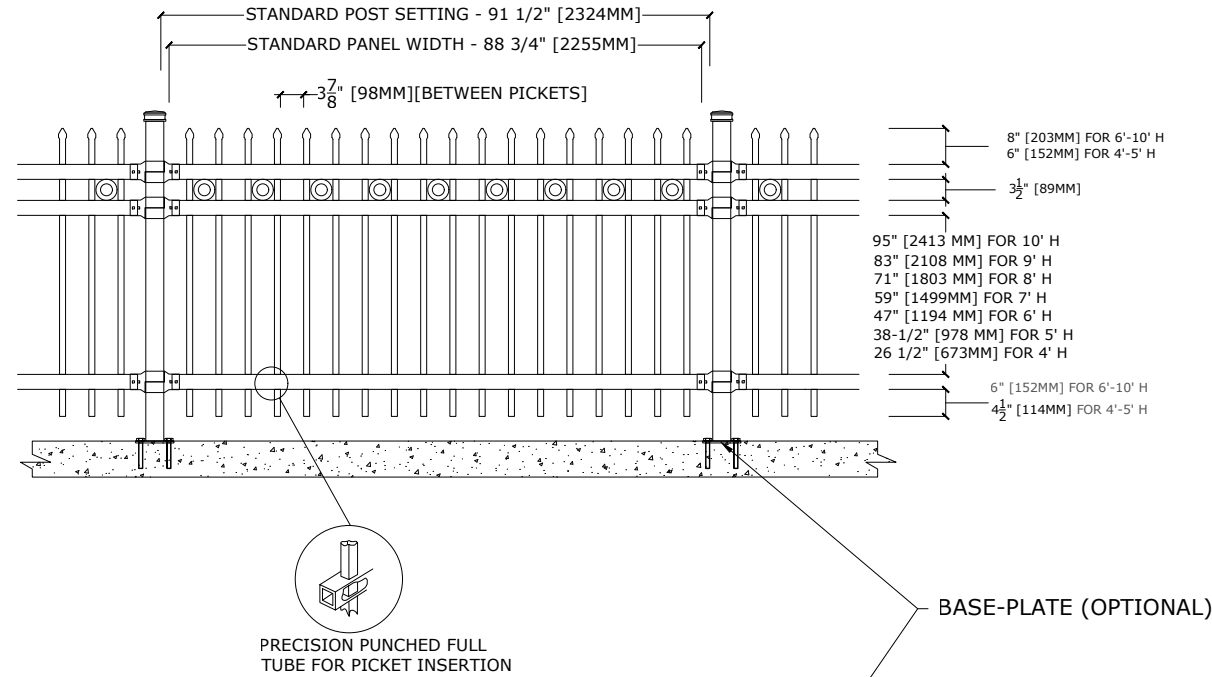
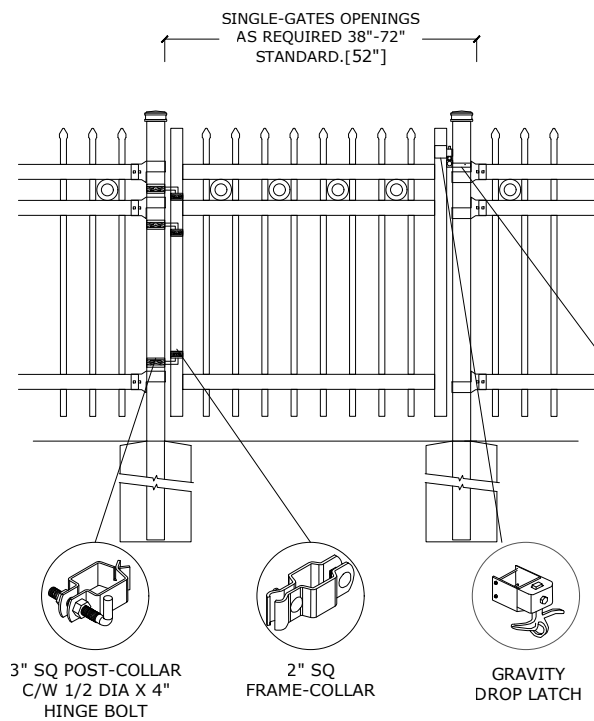
Medallion Fence

10651 KEELE STREET
 MAPLE, ONTARIO L6A 3Y9
 (T) 905-832-2922 || 1-800-794-1564 || (F) 905-832-1564
 info@medallionfence.com || www.medallionfence.com

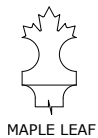
Medallion Fence

STYLE:
ARISTOCRAT-DR-REO

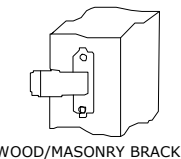
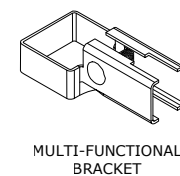
SERIES:
PRESTON™



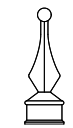
OPTIONAL PICKET DESIGNS



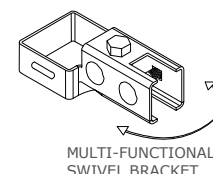
BRACKET



OPTIONAL POST CAPS



SWIVEL BRACKET



MATERIAL SPECIFICATIONS:

ARMOUR-SHIELD™
 BY MEDALLION FENCE

PROTECTED BY



ARMOUR-SHIELD™

SPECIFICATIONS

TUBE COMPOSITION - POSTS , RAILS & PICKETS

- MINIMUM YIELD STRENGTH: 45 KSI (310 MPA)
- MINIMUM TENSILE STRENGTH: 55 KSI (380 MPA)
- ASTM A787 (TUBE)
- TUBE MANUFACTURED FROM PRE-COATED ALUMINUM-ZINC COATED STEEL WITH COATING DESIGNATION AZ50 CONFORMING TO ASTM A792/A792M

MATERIAL DIMENSIONS

PICKET	1" x 1" (25mm x 25mm) 16GA
RAILS	2-1/2" x 1-1/2" (64mm x 38mm) 16 GA
POSTS REGULAR or BASE-PLATED	3" x 3" [76mm x 76mm] 11 GA or 14 GA
OPTIONAL POST REGULAR or BASE-PLATED	4" x 4" (102mmx102mm) 11 GA
UPRIGHTS	2" x 2" [51mm x 51mm] 14GA

WELDS	Stainless Steel Mig Weld
FITTINGS	12 Gauge Stamp Forged Finish as below
FITTING FASTENERS	JS1000 Plated Finish as below
OPTIONAL FASTENER	Tamper Proof Nuts

FINISH

GRADE	Super Durable Polyester Powder Coat
OPTIONAL PRIMER	Zinc Rich Epoxy Powder Coat
OPTIONAL PRIMER (2)	E-Coat
STANDARD COLOUR	SEMI-GLOSS - BLACK
OTHER COLOURS	Green, Brown, White, Antique Silver
CUSTOM COLOURS	Per Specifications

STANDARD HEIGHTS	4'	5'	6'	7'	8'	9'	10'
	1219MM	1524MM	1892MM	2134MM	2438MM	2743MM	3048MM
Custom heights are available (upon request)							

STANDARD GATES	Passage, Double Entry, Cantilever
----------------	-----------------------------------

STANDARD POST SETTING & PANEL WIDTH

FOR FENCE HEIGHTS	PANEL WIDTH	POST SPACING [OPENING]
Up to 6' [1829mm]	88 3/4" [2255MM]	91 1/2" [2324MM]
Over 6' [1829mm]	88 3/4" [2255MM]	91 1/2" [2324MM]