



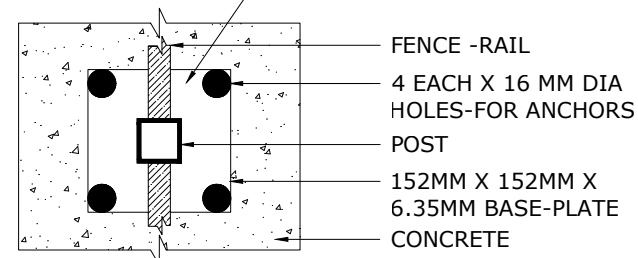
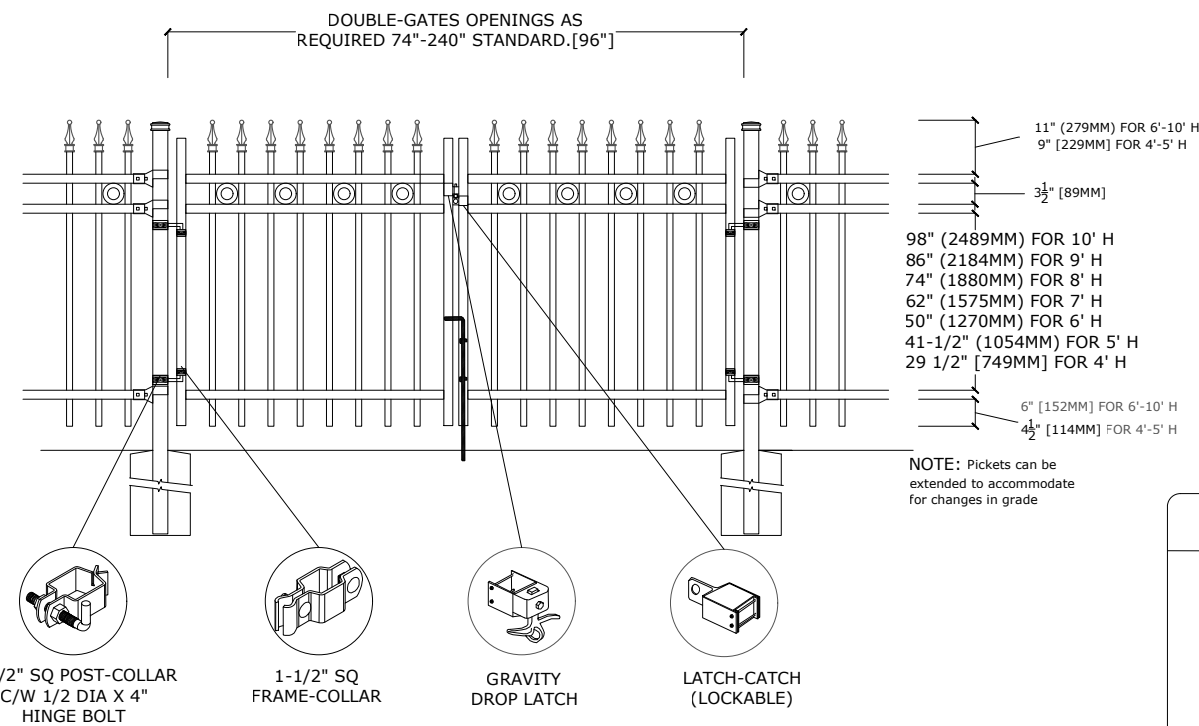
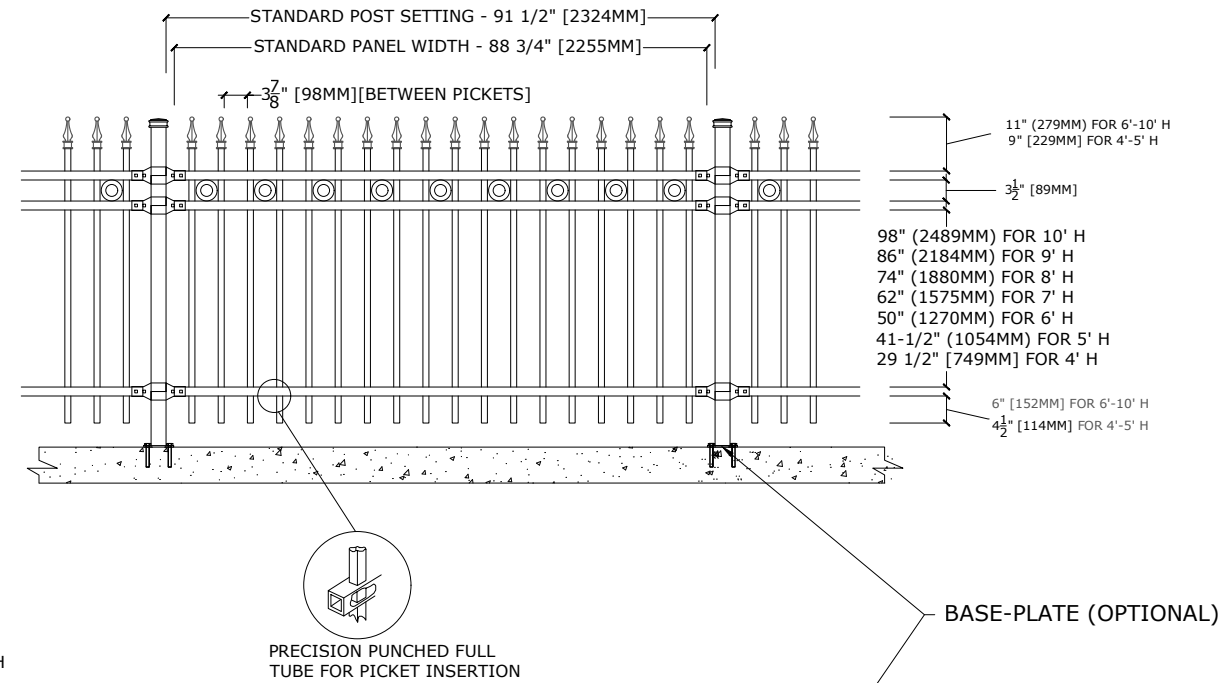
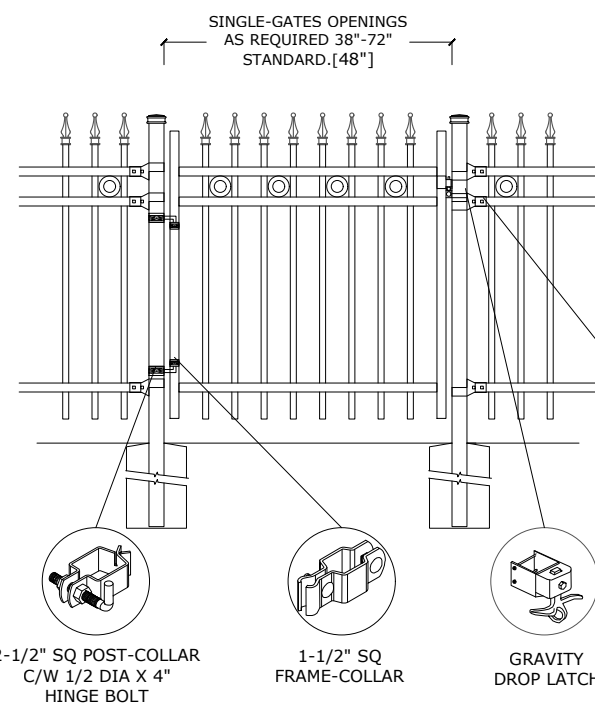
# Medallion Fence

10651 KEELE STREET  
 MAPLE, ONTARIO L6A 3Y9  
 (T) 905-832-2922 || 1-800-794-1564 || (F) 905-832-1564  
 info@medallionfence.com || www.medallionfence.com

Medallion Fence

**STYLE:**  
**CAVALIER-DR-SF-REO**

**SERIES:**  
**OXFORD™**



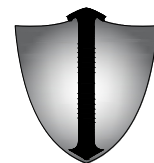
<b>OPTIONAL CAST FINIAL</b>		<b>BRACKET</b>	
MAPLE LEAF	FLEUR DES LIS (FF)	MULTI-FUNCTIONAL BRACKET (2-BOLT)	WOOD/MASONRY BRACKET

<b>OPTIONAL POST CAPS</b>			<b>SWIVEL BRACKET</b>	
PYRAMID	BALL	SPIRAL	MULTI-FUNCTIONAL SWIVEL BRACKET	WOOD/MASONRY SWIVEL BRACKET

**MATERIAL SPECIFICATIONS:**

ARMOUR-SHIELD™  
 BY MEDALLION FENCE

PROTECTED BY



ARMOUR-SHIELD™

**SPECIFICATIONS**

**TUBE COMPOSITION - POSTS , RAILS & PICKETS**

- MINIMUM YIELD STRENGTH: 45 KSI (310 MPA)
- MINIMUM TENSILE STRENGTH: 55 KSI (380 MPA)
- ASTM A787 (TUBE)
- TUBE MANUFACTURED FROM PRE-COATED ALUMINUM-ZINC COATED STEEL WITH COATING DESIGNATION AZ50 CONFORMING TO ASTM A792/A792M

**MATERIAL DIMENSIONS**

PICKET	1" x 1" (25mm x 25mm) 16 GA
RAILS	1-1/2" x 1-1/2" (38mm x 38mm) 14 GA
POSTS REGULAR or BASE-PLATED	2-1/2" x 2-1/2" (64mm x 64mm) 14 GA
OPTIONAL POST REGULAR or BASE-PLATED	HSS 3" (76mm) Sq./4" (102mm) Sq./6" (152mm) Sq.
UPRIGHTS	1-1/2" x 1-1/2" (38mm x 38mm) 14 GA

<b>WELDS</b>	Stainless Steel Mig Weld
<b>FITTINGS</b>	12 Gauge Stamp Forged Finish as below
FITTING FASTENERS	JS1000 Plated Finish as below
OPTIONAL FASTENER	Tamper Proof Nuts

**FINISH**

<b>GRADE</b>	Super Durable Polyester Powder Coat
OPTIONAL PRIMER	Zinc Rich Epoxy Powder Coat
OPTIONAL PRIMER (2)	E-Coat
STANDARD COLOUR	SEMI-GLOSS - BLACK
OTHER COLOURS	Green, Brown, White, Antique Silver
CUSTOM COLOURS	Per Specifications

<b>STANDARD HEIGHTS</b>	4'-3" [1295MM]	5'-3" [1600MM]	6'-3" [1905MM]	7'-3" [2210MM]	8'-3" [2514MM]	9'-3" [2819MM]	10'-3" [3124MM]
	Custom heights are available (upon request)						

STANDARD GATES	Passage, Double Entry, Cantilever
----------------	-----------------------------------

**STANDARD POST SETTING & PANEL WIDTH**

<b>FOR FENCE HEIGHTS</b>	<b>PANEL WIDTH</b>	<b>POST SPACING [OPENING]</b>
Up to 6' [1829mm]	88 3/4" [2255MM]	91 1/2" [2324MM]
Over 6' [1829mm]	88 3/4" [2255MM]	91 1/2" [2324MM]