



Medallion Fence

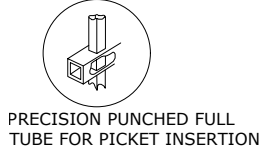
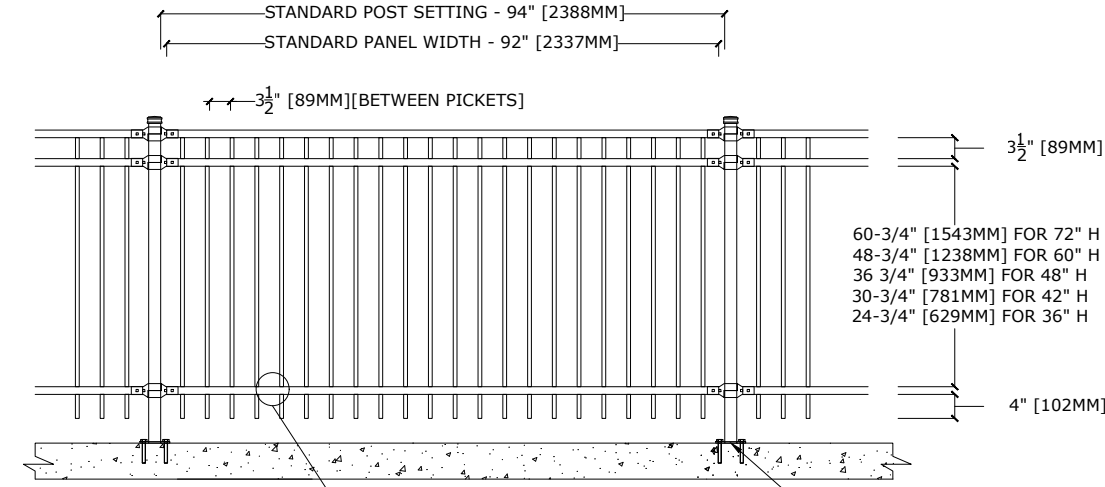
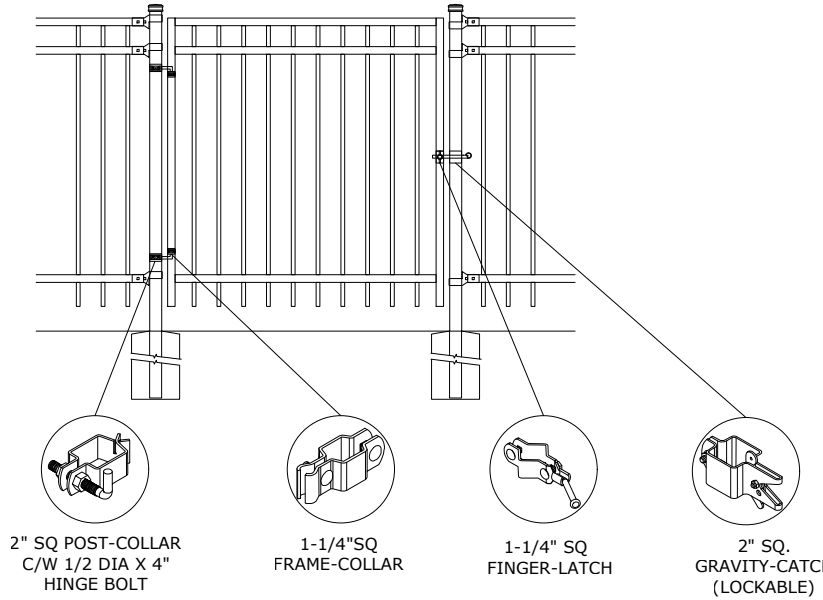
10651 KEELE STREET
 MAPLE, ONTARIO L6A 3Y9
 (T) 905-832-2922 || 1-800-794-1564 || (F) 905-832-1564
 info@medallionfence.com || www.medallionfence.com

Medallion Fence

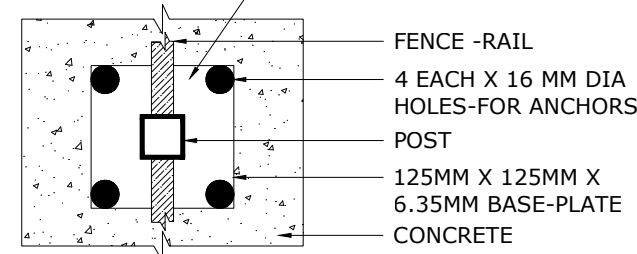
STYLE:
STANTON

SERIES:
FAIRMONT™

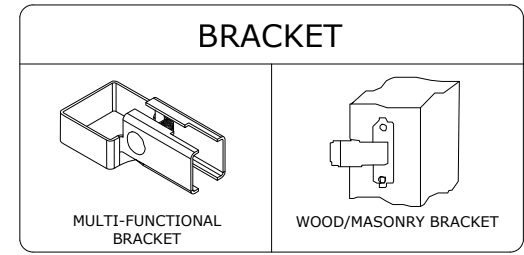
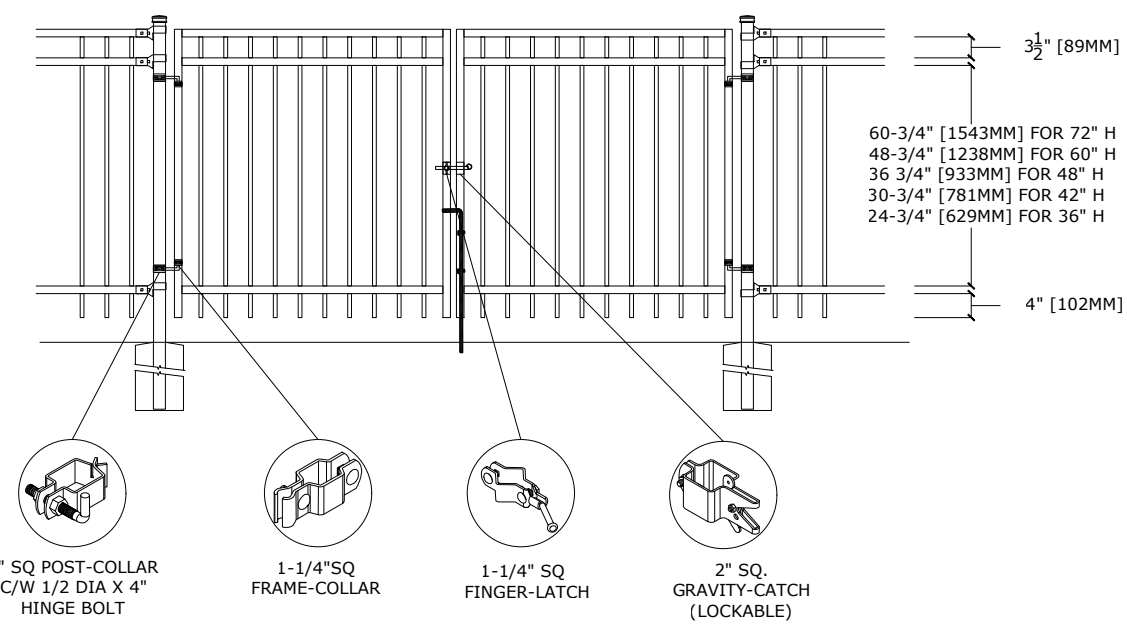
SINGLE-GATES OPENINGS
 AS REQUIRED 36", 48"
 OR 60" STANDARD



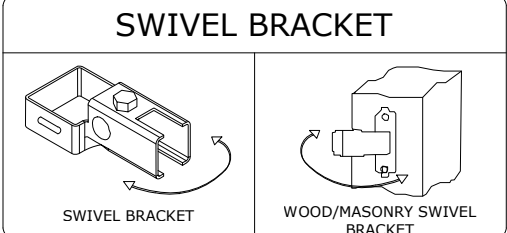
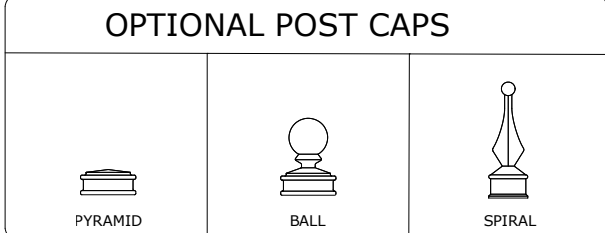
BASE-PLATE (OPTIONAL)



DOUBLE-GATES OPENINGS AS
 REQUIRED 72", 96" OR 120"
 STANDARD



MATERIAL SPECIFICATIONS:
 ARMOUR-SHIELD™
 BY MEDALLION FENCE



SPECIFICATIONS

TUBE COMPOSITION - POSTS , RAILS & PICKETS

- MINIMUM YIELD STRENGTH: 45 KSI (310 MPA)
- MINIMUM TENSILE STRENGTH: 55 KSI (380 MPA)
- ASTM A787 (TUBE)
- TUBE MANUFACTURED FROM PRE-COATED ALUMINUM-ZINC COATED STEEL WITH COATING DESIGNATION AZ50 CONFORMING TO ASTM A792/A792M

MATERIAL DIMENSIONS

PICKET	5/8" x 5/8" (16mm x 16mm) 18 GA
RAILS	1-1/4" x 1-1/4" (32mm x 32mm) 16 GA
POSTS REGULAR or BASE-PLATED	2" x 2" (51mm x 51mm) 16 GA or 14 GA
OPTIONAL POST REGULAR or BASE-PLATED	2-1/2" x 2-1/2" (64mmx64mm) 14 GA
UPRIGHTS	1-1/4" x 1-1/4" (32mm x 32mm) 16 GA or 14 GA

WELDS	Stainless Steel Mig Weld
FITTINGS	14 Gauge Stamp Forged Finish as below
FITTING FASTENERS	JS1000 Plated Finish as below
OPTIONAL FASTENER	Tamper Proof Nuts

FINISH

GRADE	Super Durable Polyester Powder Coat
OPTIONAL PRIMER	Zinc Rich Epoxy Powder Coat
OPTIONAL PRIMER (2)	E-Coat
STANDARD COLOUR	SEMI-GLOSS - BLACK
OTHER COLOURS	Green, Brown, White, Antique Silver
CUSTOM COLOURS	Per Specifications

STANDARD HEIGHTS	36" 914mm	42" 1067mm	48" 1219mm	60" 1524mm	72" 1892mm
	Custom heights are available (upon request)				

STANDARD GATES	Passage, Double Entry, Cantilever
----------------	-----------------------------------

STANDARD POST SETTING & PANEL WIDTH

FOR FENCE HEIGHTS	PANEL WIDTH	POST SPACING [OPENING]
Up to 6' [1829mm]	92" [2337MM]	94" [2388 MM]
Over 6' [1829mm]	NA	