

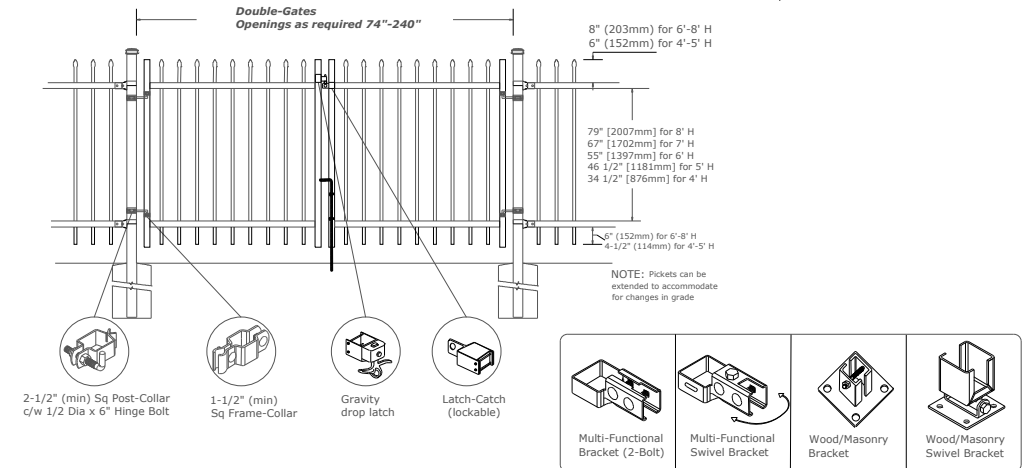
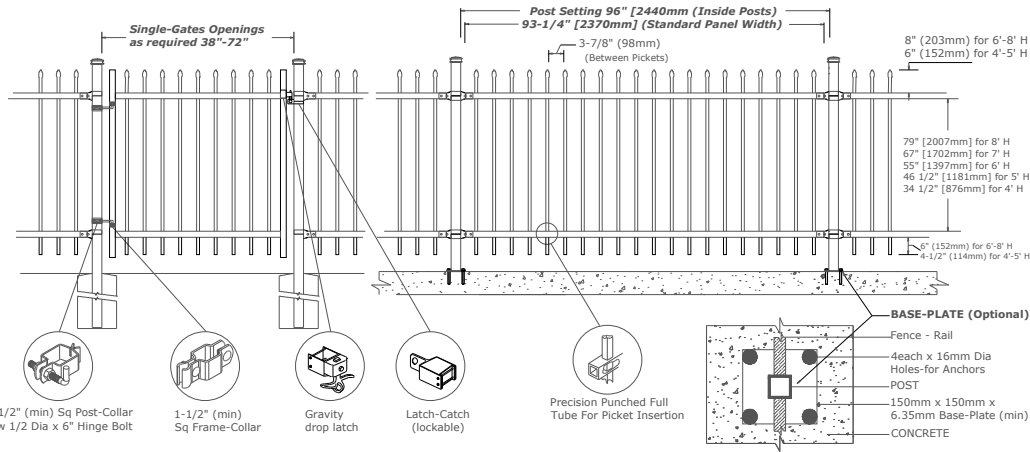


## Medallion Fence

10651 KEELE STREET  
 MAPLE, ONTARIO L6A 3Y9  
 (T) 905-832-2922 || 1-800-794-1564 || (F) 905-832-1564  
 info@medallionfence.com || www.medallionfence.com

**Style:**  
 ARISTOCRAT/75

**Series:**  
 OXFORD™



### MATERIAL SPECIFICATIONS:

ARMOUR-SHIELD™  
 BY MEDALLION FENCE

PROTECTED BY



### PICKET DETAIL



Maple Leaf



Conventional Arrow

### OPTIONAL POST CAPS



PYRAMID



BALL



SPIRAL

## SPECIFICATIONS

### TUBE COMPOSITION - POSTS, RAILS & PICKETS

Coated Cold Formed ERW Tubing

- o With a coating designation being a minimum protective coating weight of 275gm/m<sup>2</sup> both interior and exterior
  - o Top coat consisting of a chromium-free phosphate conversion coating
  - o Coating conforming to ASTM A1046 for hot dip coatings comprising of Zinc, Aluminum and Magnesium
  - o ERW tube conforming to ASTM A787 Type 6
  - o Minimum Yield Strength 207 MPa and Minimum Tensile Strength 290 MPa
- Weld seams mill re-metalized

## MATERIAL DIMENSIONS

PICKET	3/4" x 3/4" (19mm x 19mm) 18 GA
RAILS	1-1/2" x 1-1/2" (38mm x 38mm) 16 GA
STANDARD POST REGULAR or BASE-PLATED	2-1/2" x 2-1/2" (64mm x 64mm) 16 GA or 14 GA
OPTIONAL POST(1) REGULAR or BASE-PLATED	3" (76mm) Sq./4" (102mm) Sq 14 GA or 11 GA
OPTIONAL POST(2) REGULAR or BASE-PLATED	HSS 3" (76mm) Sq./4" (102mm) Sq./6" (152mm) Sq

<b>WELDS</b>	Stainless Steel Mig Weld
--------------	--------------------------

<b>FITTINGS</b>	12 Gauge Stamp Forged Finish as below
-----------------	---------------------------------------

FITTING FASTENERS	JS1000 Plated Finish as below
-------------------	-------------------------------

OPTIONAL FASTENER	Tamper Proof Nuts
-------------------	-------------------

## FINISH

<b>GRADE</b>	Super Durable Polyester Powder Coat
OPTIONAL PRIMER	Zinc Rich Epoxy Powder Coat
STANDARD COLOUR	SEMI-GLOSS - BLACK
OTHER COLOURS	Green, Brown, White, Antique Silver
CUSTOM COLOURS	Per Specifications

<b>STANDARD HEIGHTS</b>	4' 1219mm	5' 1524mm	6' 1892mm	7' 2134mm	8' 2438mm
	Custom heights are available (upon request)				

STANDARD GATES	Passage, Double Entry, Cantilever
----------------	-----------------------------------